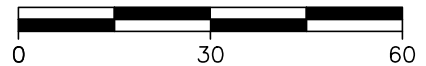


SOUTH ELEVATION



LAST PRINTED: Tuesday, June 20, 2006 3:42:27 PM FROM: O:\ENGINEERING\PROJECTS\OCD-070\468647\NG-C\DWG\F51\F51.DWG

Engineering F-16194      Surveying 10194049



2901 Turtle Creek Drive, Suite 320  
Port Arthur, TX 77642

409.724.7888  
awceng.com

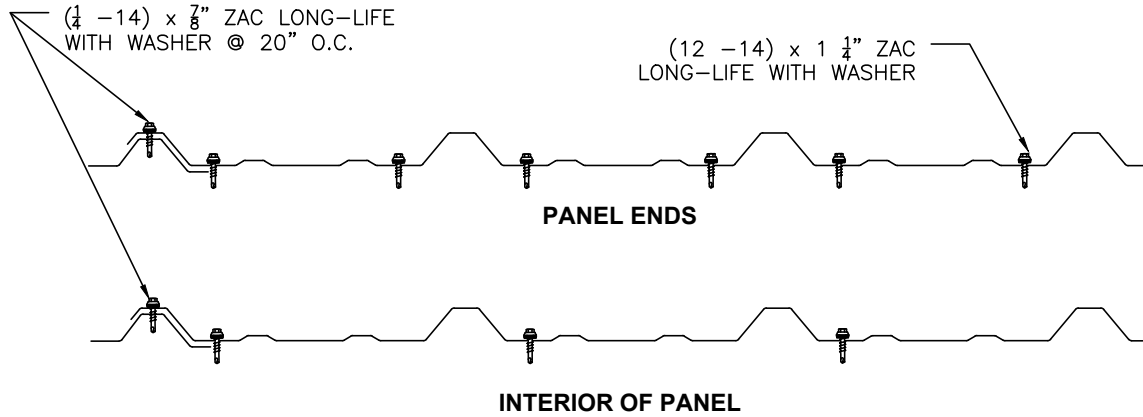
**SOUTH ELEVATION**

ORANGE COUNTY DRAINAGE DISTRICT  
MAINTENANCE SHOP ROOF REPLACEMENT PROJECT  
ORANGE COUNTY, TX

EXHIBIT  
**5**

DATE: 7/20	SCALE: 1"=30'-0"	DRAWN: N.M.F.
PROJ. No.: OCD-070	DESIGN: J.M.W.	CHECKED:

## PBR PANEL FASTENER LOCATIONS



**NOTES:**

1. The PBR panel has an unsymmetrical purlin bearing side lap leg. Panel side lap with extended foot to bear on frame. However, where possible, the panel should be lapped against prevailing wind.
2. The above are fastener spacings. As Required by the Texas Department of Insurance (TDI) all fasteners and spacing shall comply with current TDI requirements.
3. Minimum  $\frac{1}{2} \times \frac{3}{32}$ " tape sealer required at panel side laps when used as roof panels.
4. Side lap fasteners are required. Typical spacing is 20" O.C. However, this spacing may not be appropriate for all applications. Consult a professional engineer for use on any specific application.

FROM: O:\ENGINEERING\PROJECTS\OCD-070\4-6047\NG-C-01\08\FPS-C-DETAIL-SHEET.dwg  
 LAST PRINTED: Tuesday, June 20, 2006 3:14:27 PM

<p><b>Engineering</b> F-16194</p>	<p><b>Surveying</b> 10194049</p>
<p><b>ARCENEUX WILSON &amp; COLE</b> engineering   surveying   planning</p>	
<p>2901 Turtle Creek Drive, Suite 320 Port Arthur, TX 77642</p>	
<p>409.724.7888 awceng.com</p>	

<b>DETAIL SHEET</b>		
ORANGE COUNTY DRAINAGE DISTRICT MAINTENANCE SHOP ROOF REPLACEMENT PROJECT ORANGE COUNTY, TX		
DATE: 7/20	SCALE: NTS	DRAWN: N.M.F.
PROJ. No.: OCD-070	DESIGN: J.M.W.	CHECKED:

EXHIBIT  
6

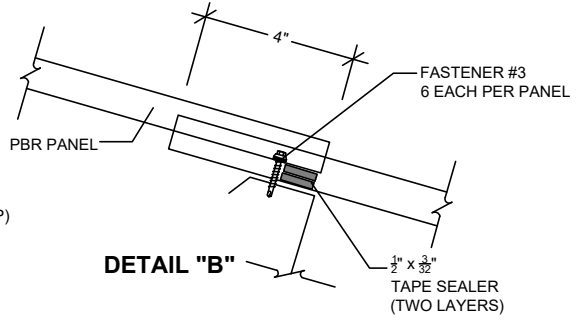
# PBR PANEL ATTACHMENT

1/4" - 14 X 7/8 LONG-LIFE ZAC W/WASHER (FASTENER #4) @ 20" O.C.

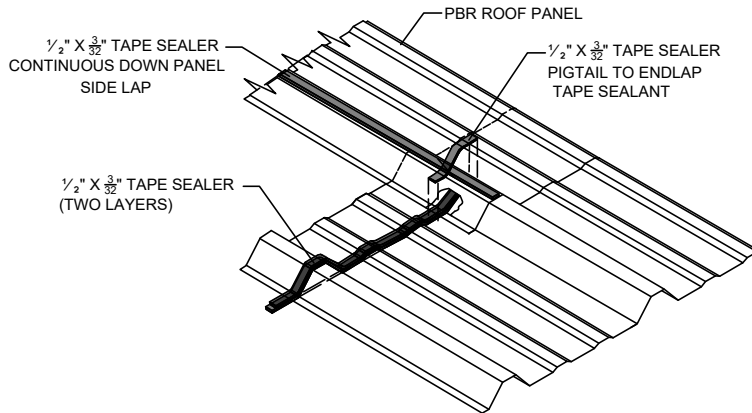
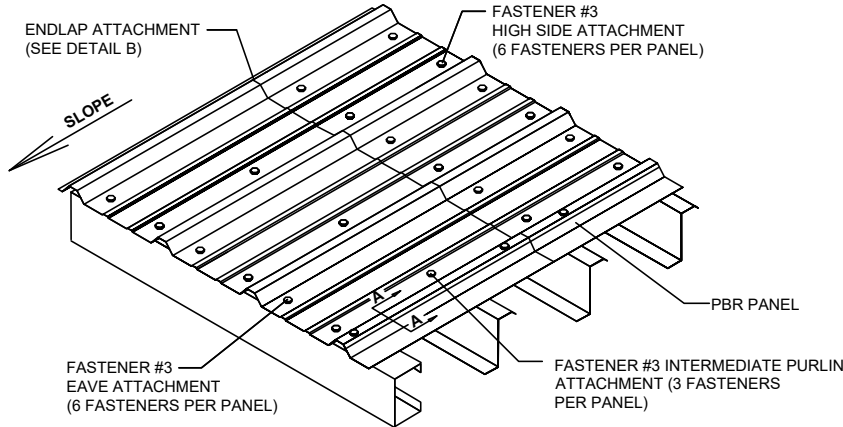
1/2" X 3/32" TAPE SEALER PIGTAIL TO ENDLAP

1/2" X 3/32" TAPE SEALER (CONTINUOUS@ ENDLAP)

**DETAIL "A"**



**DETAIL "B"**



**NOTES:**

**Sidelap**

1. 1/2" X 3/32" tape sealer must be installed between weather infiltration point and fastener.
2. Install Fastener #4 (1/4"-14 X 7/8" ZAC Long Life) at 20" O.C. at roof panel side laps and 24" O.C. at wall panel side laps.
3. When possible, install panels such that sidelaps are nested away from prevailing winds.

**Endlap**

1. Stack 2 continuous layers of 1/2" X 3/32" tape sealer on top of each other and must be installed between weather infiltration point and fastener.
2. Install a 1/2" X 3/32" tape sealer pigtail to complete the seal between the side lap tape sealant and the end lap tape sealant.
3. Install Fastener #3 (12-14 X 1 1/4" ZAC Long Life) on each side of major ribs of panel (two fasteners per foot).

FROM: C:\ENGINEERING\PROJECTS\OCD-070\4-60647\NO-CHECK\RS3\DETAIL SHEET.dwg  
LAST PRINTED: Tuesday, June 20, 2006 3:42:27 PM

Engineering  
F-16194

Surveying  
10194049



**AWC**  
ARCENEUX WILSON & COLE  
engineering | surveying | planning

2901 Turtle Creek Drive, Suite 320  
Port Arthur, TX 77642

409.724.7888  
awceng.com

**DETAIL SHEET**

ORANGE COUNTY DRAINAGE DISTRICT  
MAINTENANCE SHOP ROOF REPLACEMENT PROJECT  
ORANGE COUNTY, TX

EXHIBIT

**7**

DATE: 7/20

SCALE: NTS

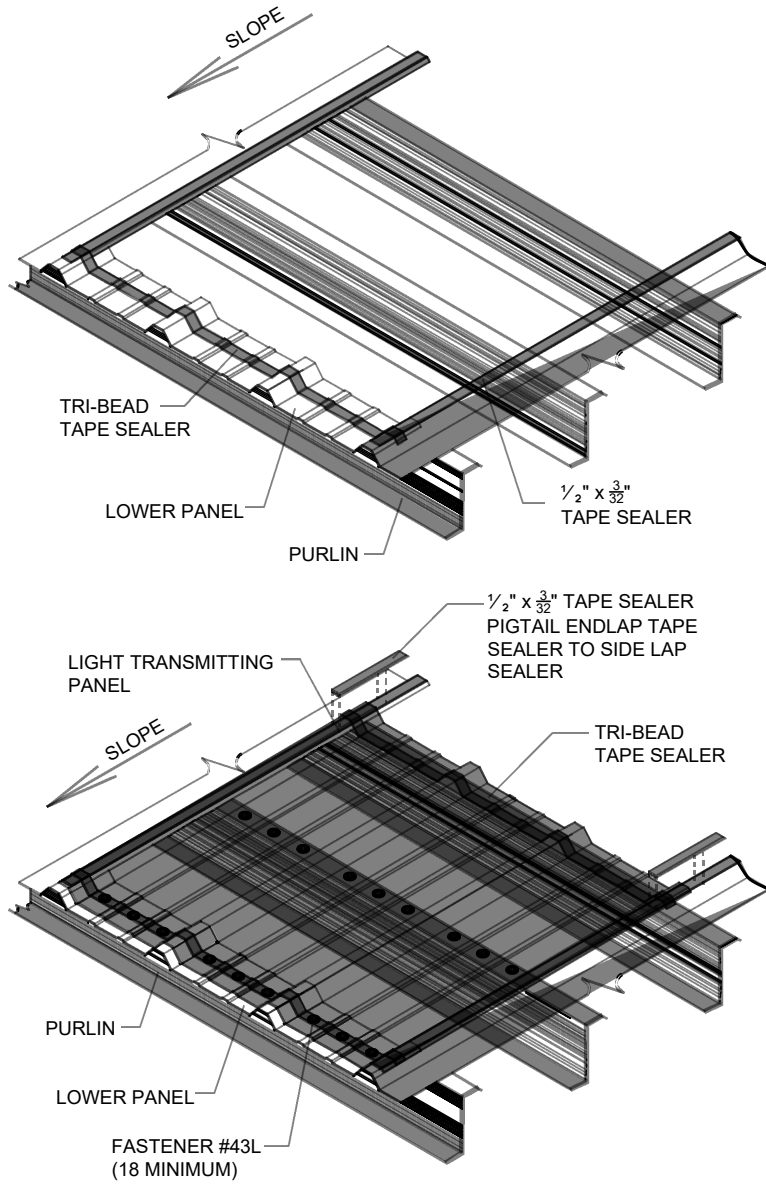
DRAWN: N.M.F.

PROJ. No.: OCD-070

DESIGN: J.M.W.

CHECKED:

**CONSTRUCTION NO. 542  
UL 90 LIGHT  
TRANSMITTING PANEL  
INSTALLATION**



Install roof panels, leaving the light transmitting panel run open, except for lower light transmitting panel run metal panel. Install tape sealer to panel sidelaps and across panel width as normal.

Attach light transmitting panels at the low and mid-slope connection to the purlin with nine Fastener #43L (1/4 - 14 x 1 1/4" ZAC Long Life with 1 1/8" O.D. washer) per connection.

Install a tape sealer pigtail to complete the seal between the side lap sealant and the end lap sealant.

FROM: C:\ENGINEERING\PROJECTS\OCD-070\4606ACTING-01\DWG\FINAL SHEET.dwg  
LAST PRINTED: Tuesday, June 20, 2006 3:42:27 PM

Engineering F-16194      Surveying 10194049



2901 Turtle Creek Drive, Suite 320  
Port Arthur, TX 77642      409.724.7888  
awceng.com

**DETAIL SHEET**

EXHIBIT  
**8**

ORANGE COUNTY DRAINAGE DISTRICT  
MAINTENANCE SHOP ROOF REPLACEMENT PROJECT  
ORANGE COUNTY, TX

DATE: 7/20	SCALE: NTS	DRAWN: N.M.F.
PROJ. No.: OCD-070	DESIGN: J.M.W.	CHECKED: